



TURFBOSS

The Turf Boss from Franklin Electric is designed for residential or light commercial installations where it is necessary to maximize the volume of water being delivered while maintaining the ability to lift water from a source up to 25 feet below the pump.

Suitable for:

- Agricultural Irrigation
- Lawn Sprinkling
- Industrial Dewatering
- HVAC Systems (Heat Pump and Air Conditioning)
- Water Transfer and Supply
- Freshwater Pumping
- Commercial/Industrial Liquid Transfer

FPS



Franklin Electric

Turf Boss

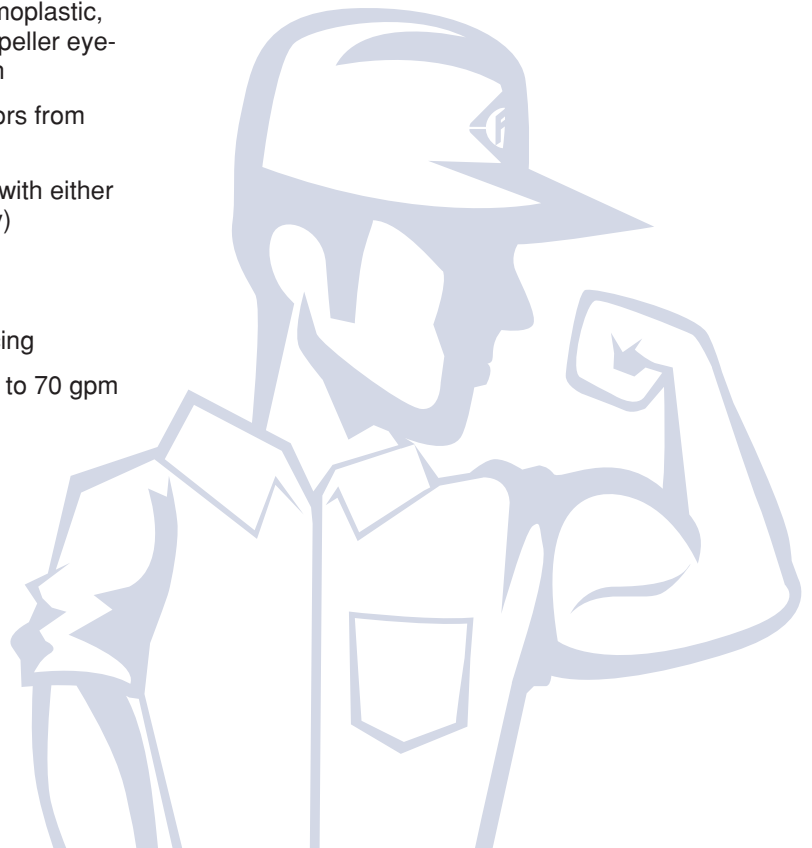
The Turf Boss excels when used to supply water to a timer operated irrigation system, but the rugged, easily serviced pump can be used in other areas as well. Some of which are residential water transfer, commercial dewatering, rainwater drainage, light agricultural irrigation, sump drainage, and industrial liquid transfer. As a premium self-priming sprinkler pump the Turf Boss is approved for indoor or outdoor operation through CSA and UL.

Whether it is a sprinkler system, a construction site, or a water transfer tank, when moving high volumes of water the Turf Boss guarantees the right amount of water right on time.

Features:

- Self-priming design, with the ability to lift water from a depth of 25'
- Easily serviced through a back pull-out design, which leaves the all plumbing and both the pump's base and case undisturbed in their original location
- Rugged pump case constructed with heavy-duty cast iron ensures optimum durability, quiet operation, and long life
- Hydraulic components molded with Noryl®* thermoplastic, when coupled with the floating stainless steel impeller eye-seal, ensures dependable and efficient operation
- Industry proven indoor and outdoor C-Face motors from A.O. Smith
- 1 and 1.5 hp motors are dual voltage, set to run with either 115 or 230 V incoming power (2 hp is 230 V only)
- Mechanical shaft seal allows positive protection against leaking
- Built-in drain plug for easy winterizing and servicing
- Shut-off pressures up to 130 feet, and flow rates to 70 gpm
- Handles water temperatures up to 120 °F
- Integral 1" NPT priming plug
- 1.5" FNPT suction, 1.5" FNPT discharge

* Noryl® is a registered trademark of G.E.



Sprinkler Pumps

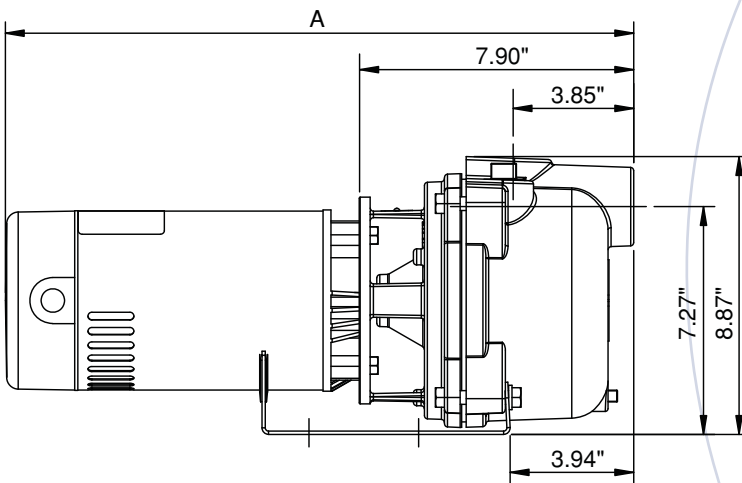
Turf Boss

FPS

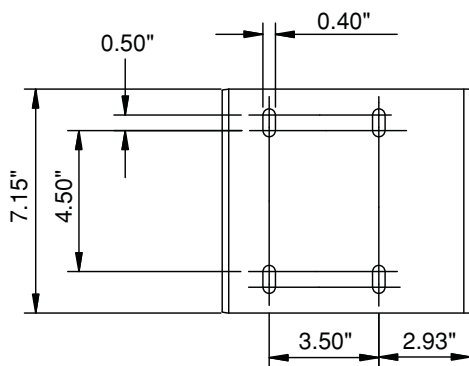
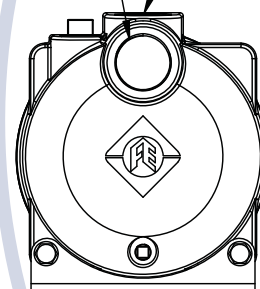
Ordering Information

Model No.	HP	Suction/Discharge	Voltage	Pump Unit	
				Order No.	Wt.
FTB1CI	1	1.5" x 1.5"	115/230	92980010	50
FTB15CI	1.5	1.5" x 1.5"	115/230	92980015	57
FTB2CI	2	1.5" x 1.5"	230	92980020	58

Dimensions



1.5" NPT Suction 1.5" NPT Discharge



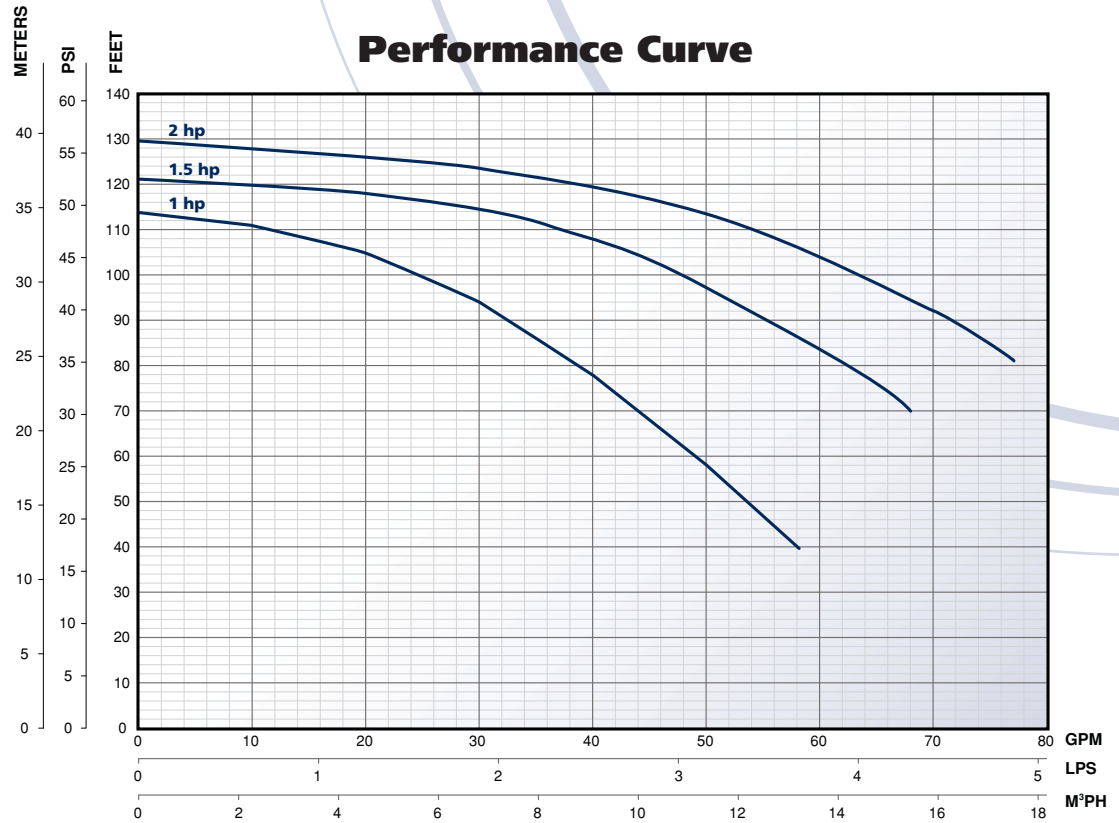
HP	A
1	20.0"
1.5	21.6"
2	21.6"



Franklin Electric



Performance Curve



Performance Data

Model	Suction Lift Ft.	Discharge Pressure - PSI							Shut-Off Pressure PSI
		20	25	30	35	40	45	50	
		Gallons per Minute							
FTB1CI	5	53	47	42	36	27	13	-	46
	10	49	45	38	32	23	-	-	44
	15	45	43	37	28	17	-	-	42
	20	38	37	33	24	-	-	-	40
	25	28	27	27	18	-	-	-	38
FTB15CI	5	65	64	63	58	48	37	-	50
	10	58	58	57	55	45	26	-	48
	15	50	49	48	48	40	-	-	46
	20	41	40	39	38	32	-	-	44
	25	29	28	28	27	17	-	-	42
FTB2CI	5	70	69	69	68	65	53	35	52
	10	61	60	60	59	58	47	-	50
	15	52	51	50	49	48	37	-	49
	20	41	40	39	38	35	-	-	47
	25	29	28	27	25	22	-	-	45



Franklin Electric

400 East Spring Street, Bluffton, IN 46714

Tel: 260.824.2900 • Fax: 260.824.2909

www.franklin-electric.com