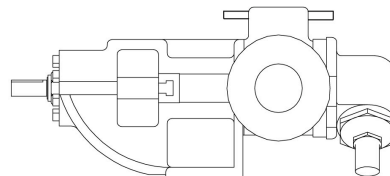




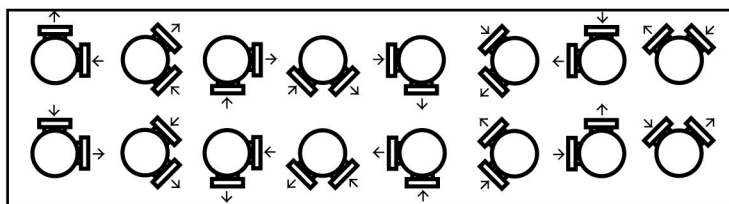
## PRODUCT BULLETIN MODEL GI INTERNAL GEAR PUMP

The GI Internal Gear pumps operate smoothly and with equal efficiency in either direction. They efficiently handle both thin and thick liquids and are designed for a broad range of applications at various flows and pressures. They are also capable of operating under a suction lift condition.



Pumps are available in several materials of construction with or without relief valves. Pumps can be supplied with conventional packing or mechanical seal. Available with 90 degree ports, which can be rotated in 45 degree increments.

90° port options



### MODEL GI SPECIFICATIONS

**Rotor/Idler:** Heat treated cast iron pumping gears are accurately machined for quiet, efficient operation and long life. The rotor is securely fastened to the pump shaft. Rotor end clearance can be adjusted to compensate for wear, for higher temperatures, or for higher viscosities by rotating the threaded bearing housing. Rotor and Idler can also be constructed of bronze, steel, or stainless steel.

**Bearing Surfaces:** Bearing are special wear resistant bronze. Cast iron and carbon bearings are available. Heavy duty sleeve bearings give positive support to pumping gears and insure long, efficient service. Bearing grooves allow circulation of the liquid being pumped for lubrication and control of bearing temperature.

**Precision Ground Shafts:** The steel shaft is induction hardened in the bearing and packing areas and are precision ground to exacting standards for maximum life. Hardened stainless steel shafts are available.

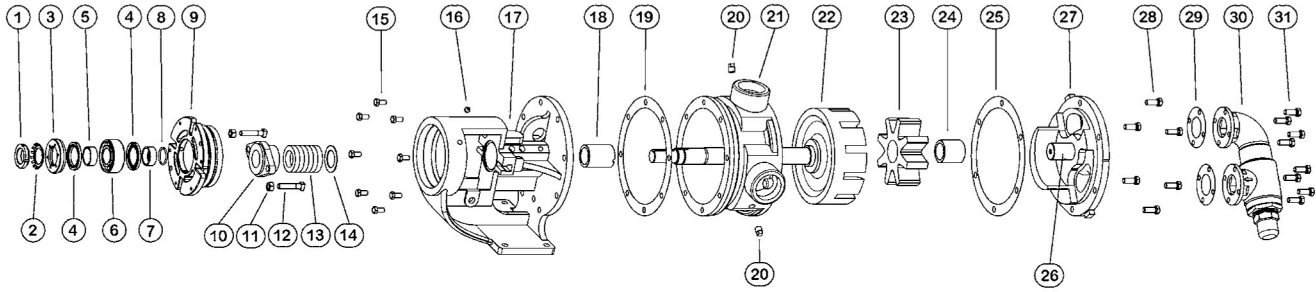
**Pump Housing:** All castings are of high grade cast iron. Precise manufacturing tolerances provide minimum clearances for maximum pumping efficiency. Double row ball or tapered bearing are for axial thrust control. Large diameter threaded bearing housing allows for easy removal of seals.

**Stuffing Box/Seal Chamber:** The stuffing box is sized for a standard packing, a variety of component seals and cartridge type mechanical and lip seals.

**INDUSTRIAL**  
Crude Oil, Acids, Gasoline, Naphtha, Petrochemical, Organic Fluids, Cargo Transfer, Asphalt, Molasses, Roofing Compounds, Printing Inks, Fuel Oil

**PRODUCT BULLETIN  
MODEL GI INTERNAL GEAR**

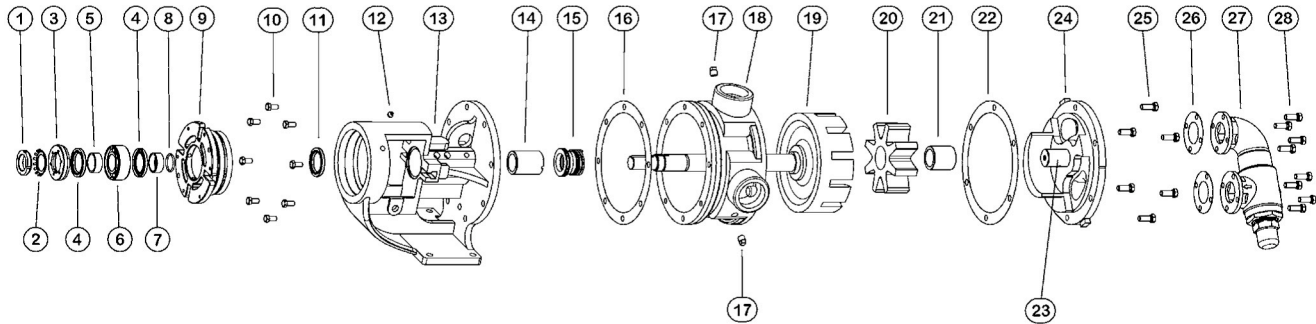
**MODEL: ALL GI PACKED PUMPS**



Item Number	Item Description	Num. Req.
1	Locknut	1
2	Lockwasher	1
3	End Cap	1
4	Lip Seal	1
5	Bearing Spacer Collar (Outer)	1
6	Ball Bearing	1
7	Bearing Spacer Collar (Inner)	1
8	Ring, Half Round (Not on GI-H & GI-HL)	1
9	Bearing Housing	1
10	Packing Gland	1
11	Packing Gland Nut	2
12	Packing Gland Capscrew	2
13	Packing	1
14	Packing Retainer Washer	1
15	Capscrew for Bracket	8
16	Grease Fitting	1

Item Number	Item Description	Num. Req.
17	Bracket and Bushing Assembly	1
18	Bracket Bushing	1
19	Bracket Gasket	1
20	Pipe Plug	1
21	Casing (Tapped or Flanged)	1
22	Rotor and Shaft Assembly	1
23	Idler and Bushing Assembly	1
24	Idler Bushing	1
25	Head Gasket	1
26	Idler Pin	1
27	Head and Idler Pin Assembly	1
28	Capscrew for Head	6
29	Relief Valve Gasket	2
30	Internal Relief Valve	1
31	Capscrew for Valve	8

**MODEL: ALL GI COMPONENT MECHANICAL SEAL PUMPS**



Item Number	Item Description	Num. Req.
1	Locknut	1
2	Lockwasher	1
3	End Cap	1
4	Lip Seal	1
5	Bearing Spacer Collar (Outer)	1
6	Ball Bearing	1
7	Bearing Spacer Collar (Inner)	1
8	Ring, Half Round (Not on GI-H & GI-HL)	1
9	Bearing Housing	1
10	Capscrew for Bracket	8
11	Lip Seal	1
12	Grease Fitting	1
13	Bracket and Bushing Assembly	1
14	Bracket Bushing	1

Item Number	Item Description	Num. Req.
15	Mechanical Seal	1
16	Bracket Gasket	1
17	Pipe Plug	1
18	Casing (Tapped or Flanged)	1
19	Rotor and Shaft Assembly	1
20	Idler and Bushing Assembly	1
21	Idler Bushing	1
22	Head Gasket	1
23	Idler Pin	1
24	Head and Idler Pin Assembly	1
25	Capscrew for Head	6
26	Relief Valve Gasket	2
27	Internal Relief Valve	1
28	Capscrew for Relief Valve	8